

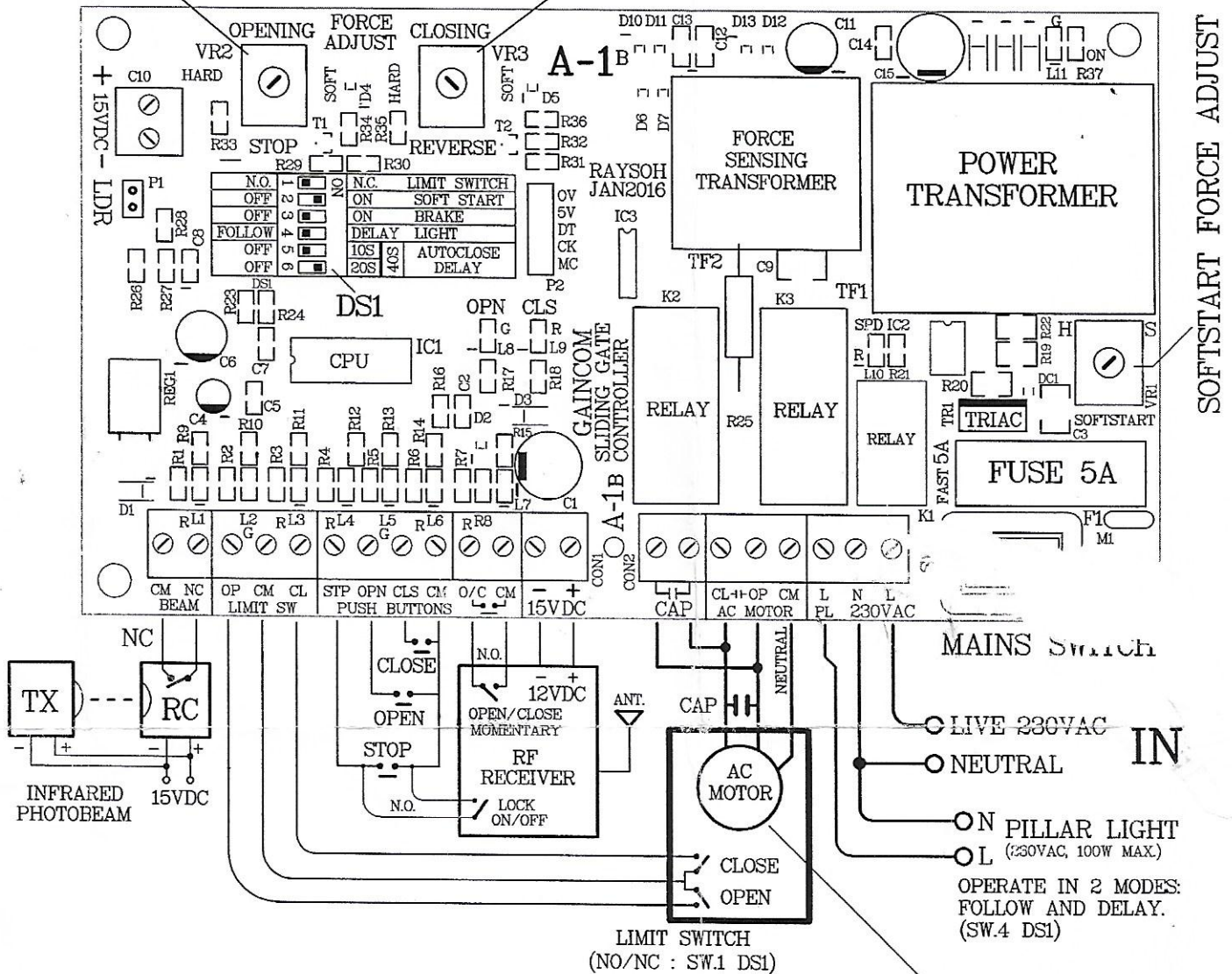
SLIDING GATE AC MOTOR CONTROLLER

10 NOV 2016

Model: **A-1**

OPENING FORCE ADJUST (TO STOP)

CLOSING FORCE ADJUST (TO REVERSE)



DS1 DIP SWITCH SETTING :

1HP INDUCTION MOTOR MAX.

- SW.1 LIMIT SWITCH MODE SELECTION.
1 N.O. N.C.
- SW.2 SOFT-START FUNCTION SELECTION.
2 NO SOFTSTART SOFTSTART
- SW.3 GATE BRAKES AT LIMIT END.
3 NO BRAKE BRAKE
- SW.4 PILLAR LIGHTING MODE.
4 FOLLOW (LIGHT ON WHENEVER GATE MOVES).
4 DELAY (LIGHT ALWAYS ON UNTILL GATE CLOSED FULLY WITH A 60S DELAY OFF).

SW.5 AND SW.6 ARE FOR AUTOCLOSE CONTROL AS FOLLOWS :

- | | | | |
|----------------------------|--------------------------|--------------------------|--------------------------|
| 5 <input type="checkbox"/> | <input type="checkbox"/> | <input type="checkbox"/> | <input type="checkbox"/> |
| 6 <input type="checkbox"/> | <input type="checkbox"/> | <input type="checkbox"/> | <input type="checkbox"/> |
| OFF | 10 SECONDS | 20 SECONDS | 40 SECONDS |

SEFETY GATE TRAVEL DURATION IS PROGRAMMED TO 2 MINUTES.

CONTROL PANEL DIMENSION : 160L x 90W x 35H MM