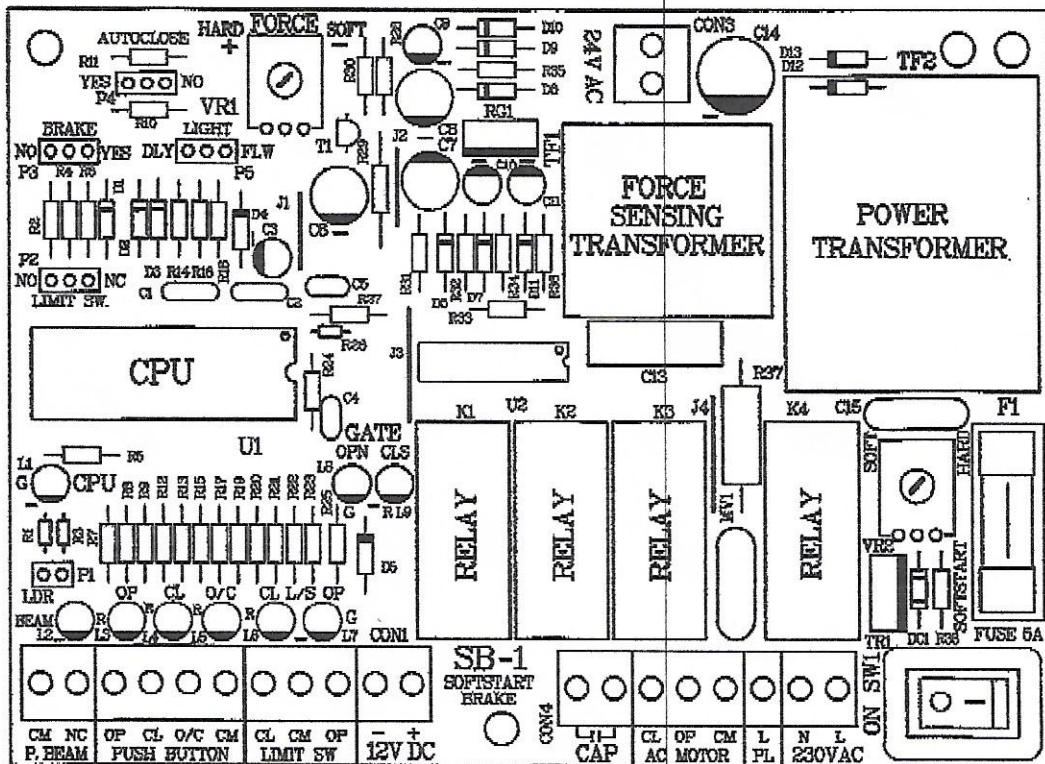


ATTN: Ms Jamie Kho  
 From: Raymond Soh

7/2/2014

**SLIDING GATE CONTROLLER  
 MODEL: SB-1**

SIZE : 140L X 100B X 32H mm



**FUNCTIONS:**

1. AUTO-REVERSE ADJUSTABLE BY TRIMMER VR1
2. SOFTSTART ADJUSTABLE BY TRIMMER VR2
3. BRAKING SELECTABLE BY JUMPER P3
4. AUTOCLOSE 20S SELECTABLE BY JUMPER P4
5. LIGHTING MODE FOLLOW OR DELAY BY JUMPER P5
6. LIMIT SWITCH MODE NO/NC BY JUMPER P2
7. DAY-TIME LIGHTING SAVING USING LDR BY P1
8. DUAL POWER SUPPLY : 12VDC & 24VAC
9. PHOTOBEAM SAFETY FUNCTION (NC MODE)
10. 3 BUTTONS FOR OPEN ONLY, CLOSE ONLY AND OPEN/CLOSE

*[Handwritten signature]*